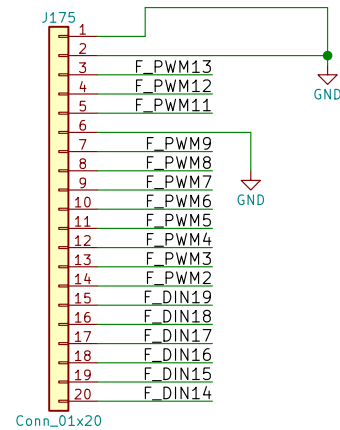
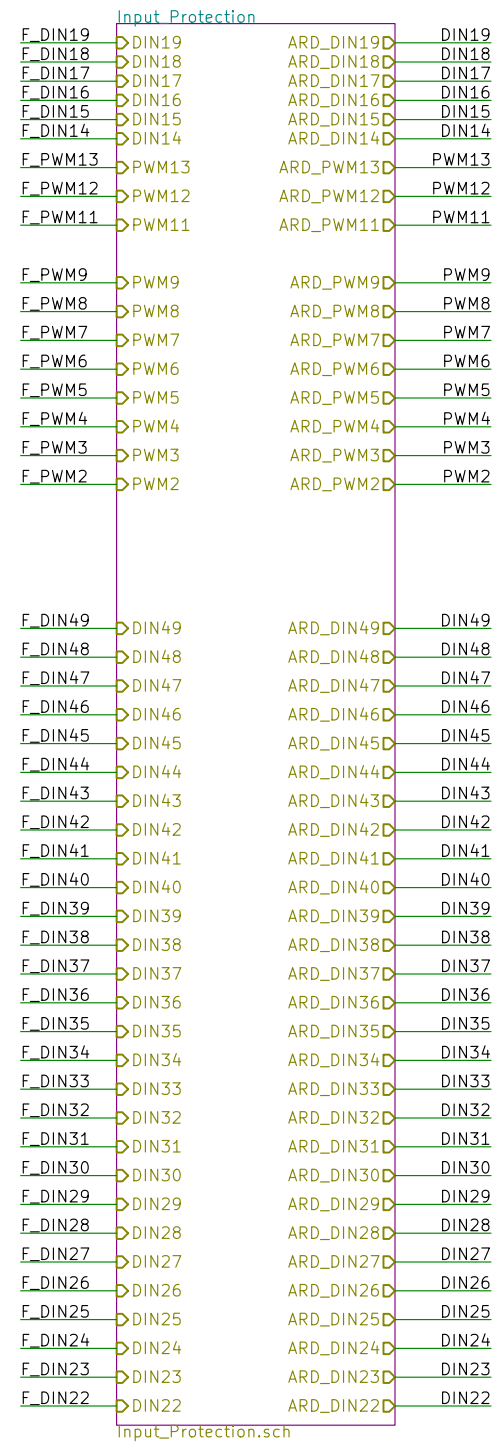
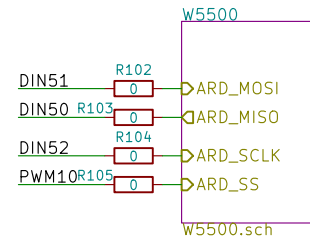
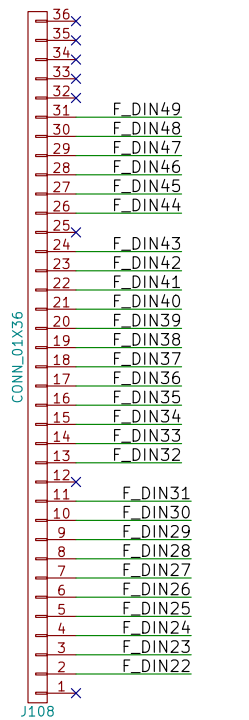


Field Connections

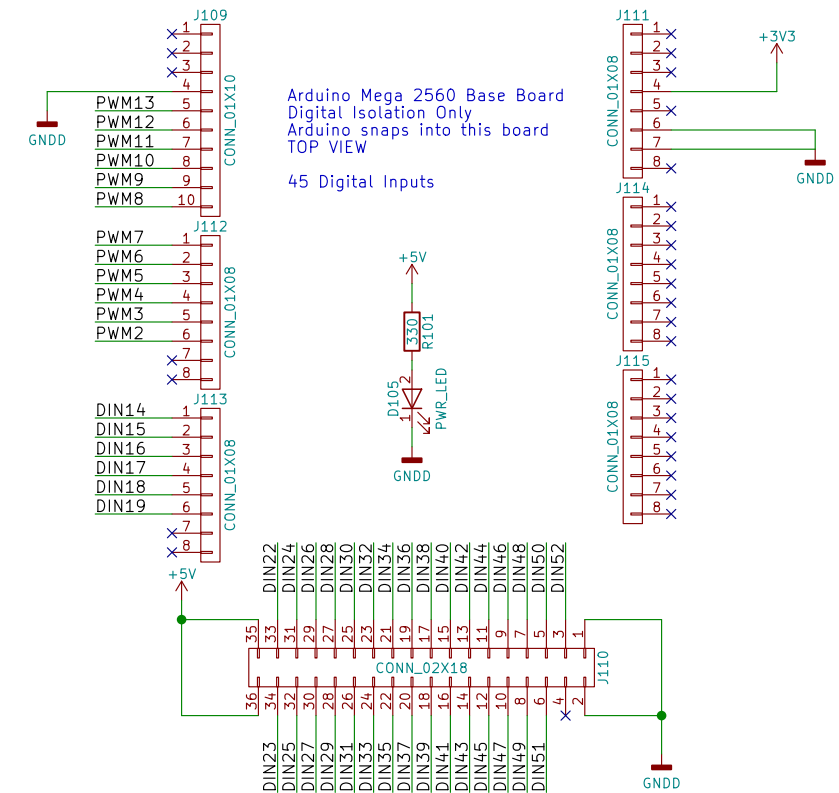
20 Pos Field Side Connector



3 Level 36 Pos Connector



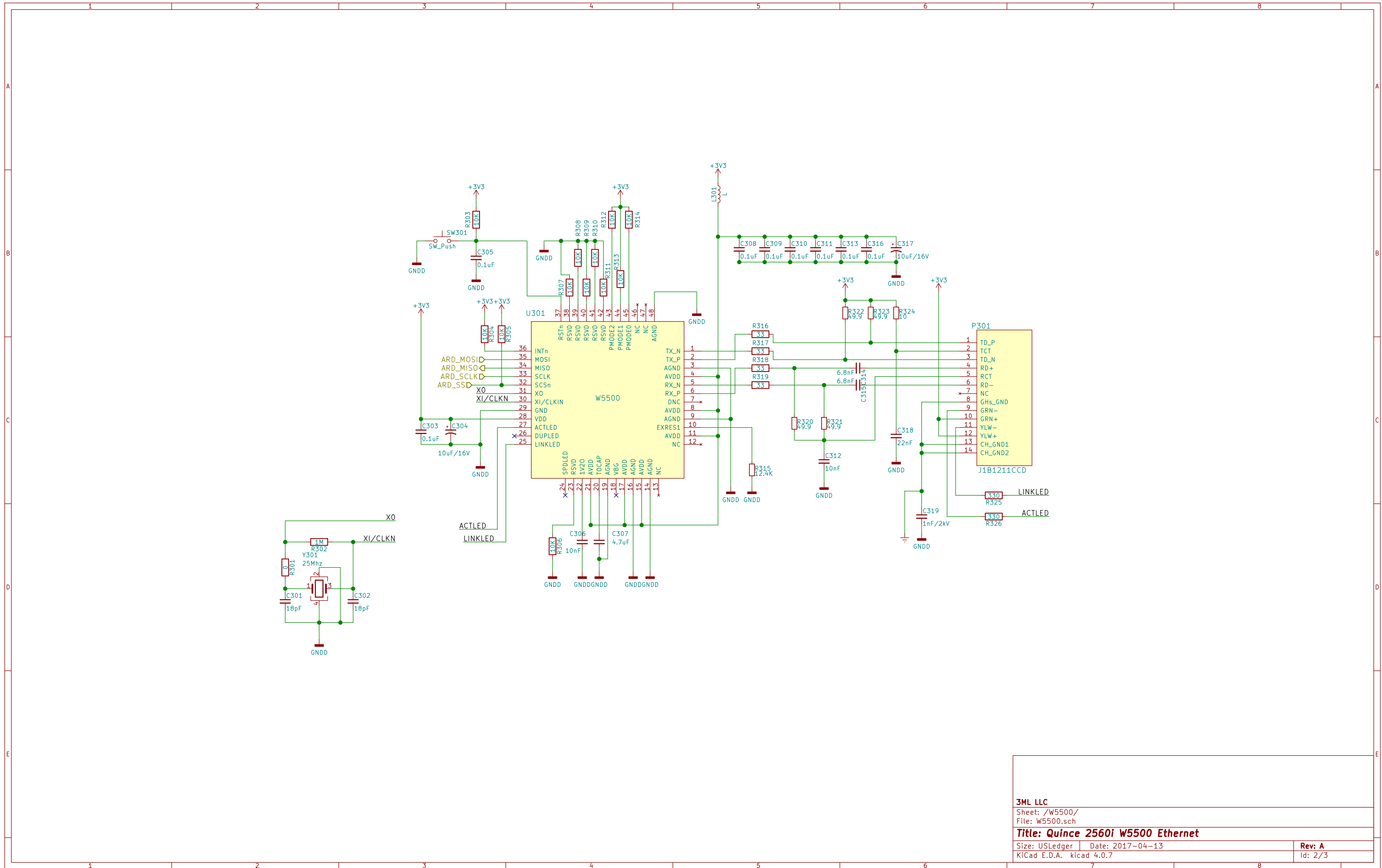
GND is Arduino Ground
GND is external PSU Ground
No Connect pins are pass through

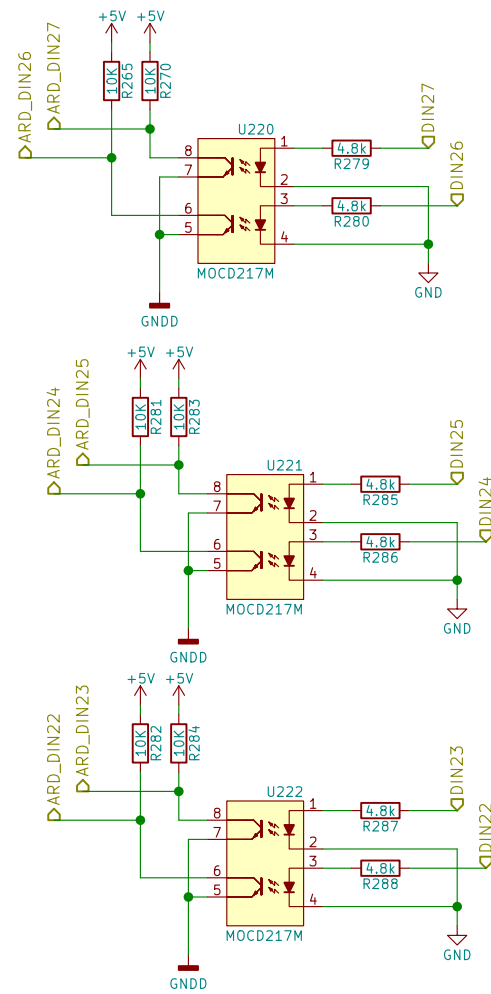
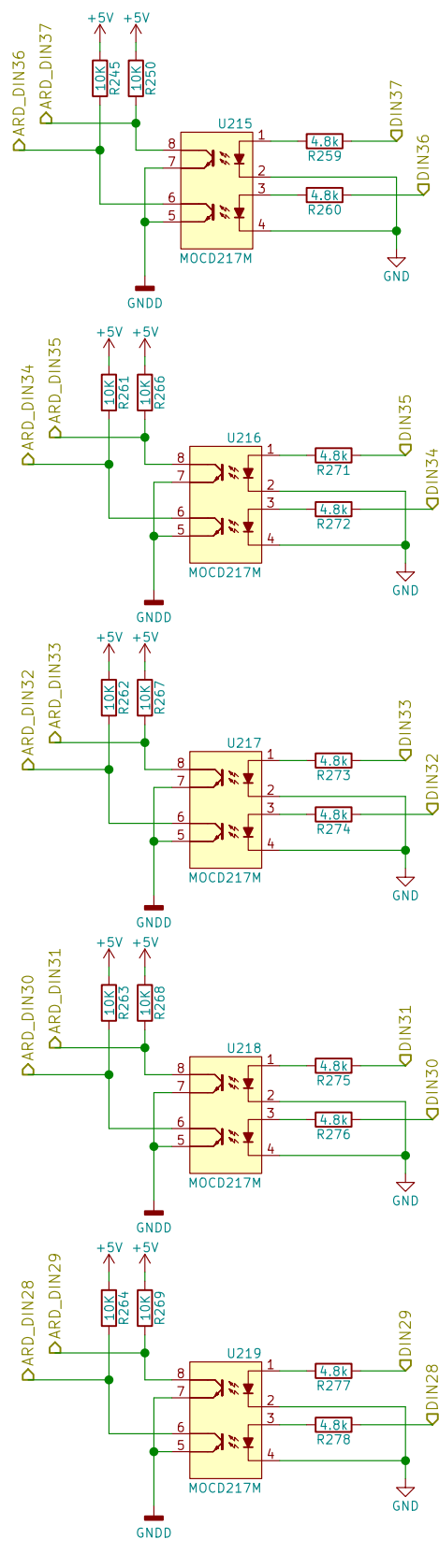
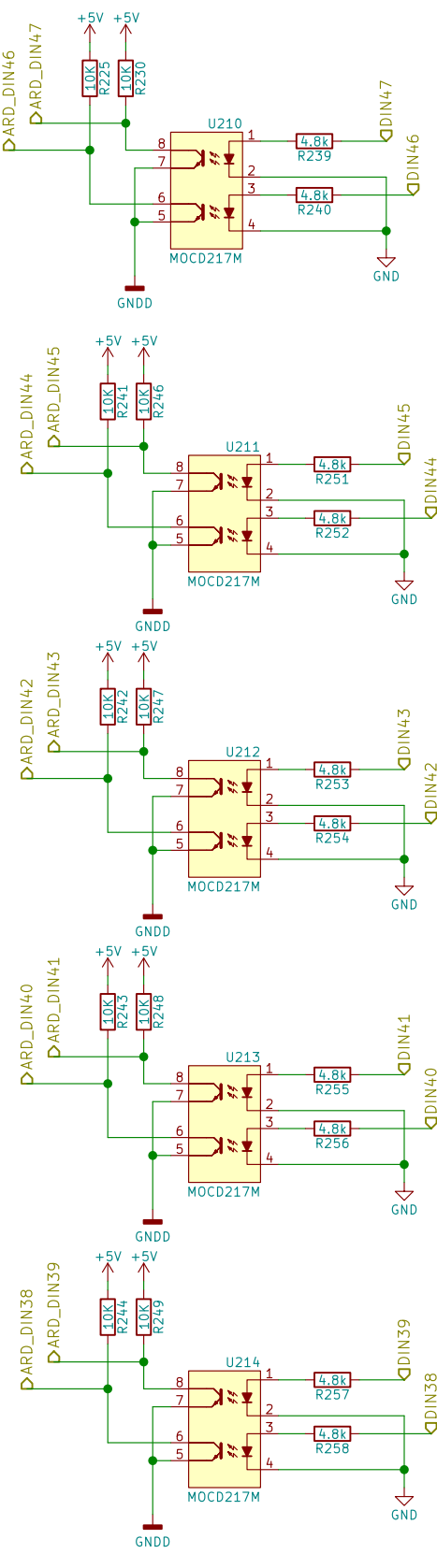
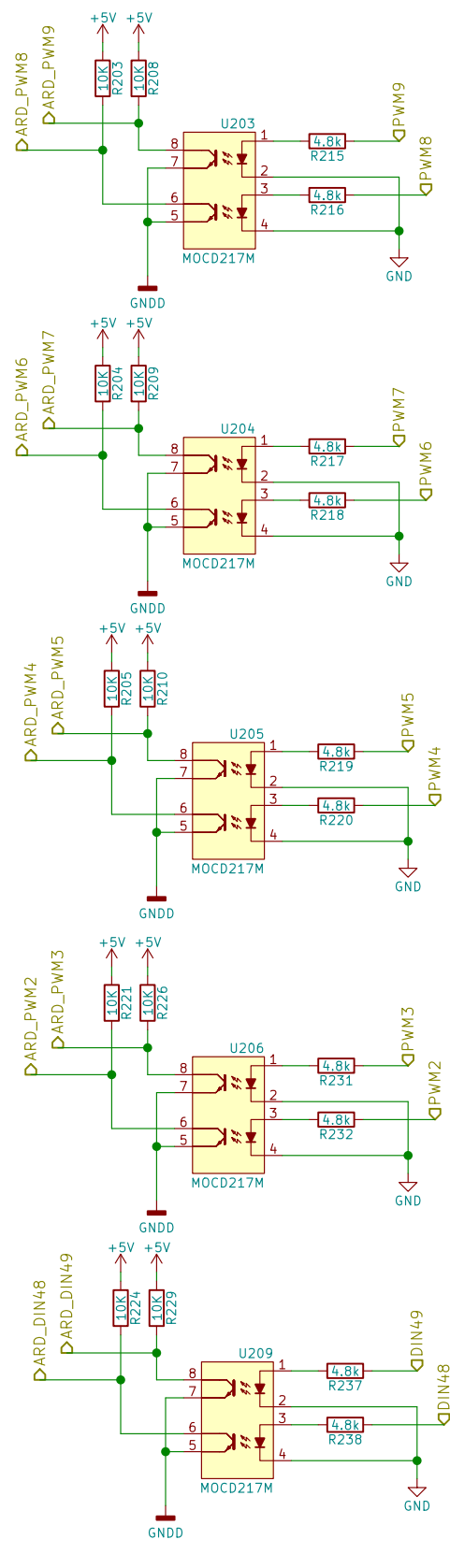
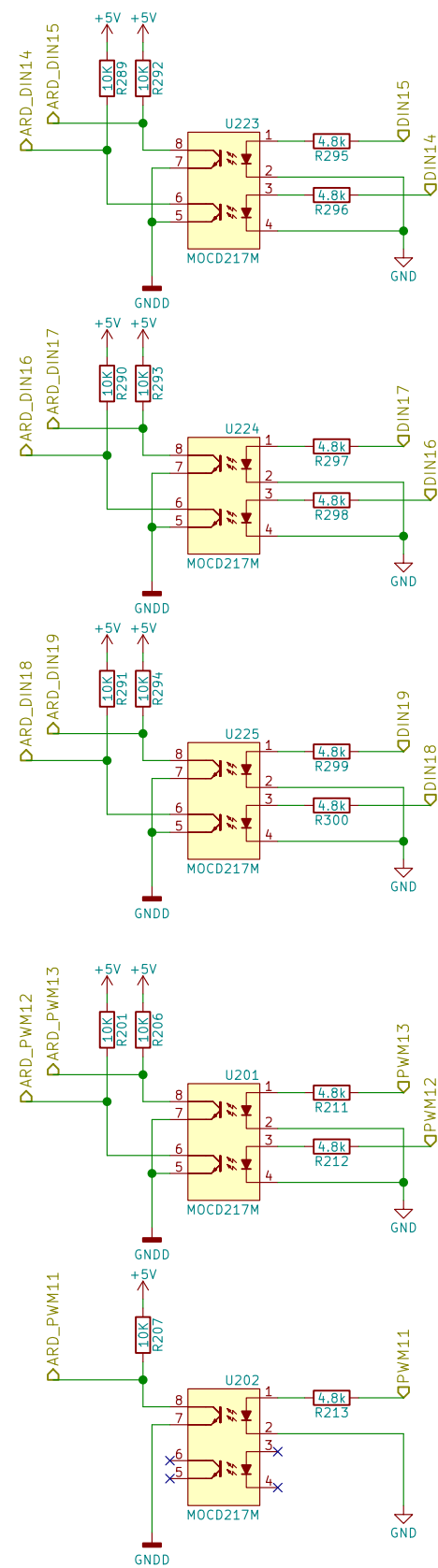


Arduino Mega 2560 Base Board
Digital Isolation Only
Arduino snaps into this board
TOP VIEW
45 Digital Inputs

Accessories







NOTES:

 Optional -
 Depending on input voltage, the 10k pull-ups could be 4.7k

3ML LLC

Sheet: /Input_Protection/
 File: Input_Protection.sch

Title: Quince 2560i Inputs

Size: USLedger Date: 2017-04-23
 KiCad E.D.A. kicad 4.0.7

Rev:
 Id: 3/3